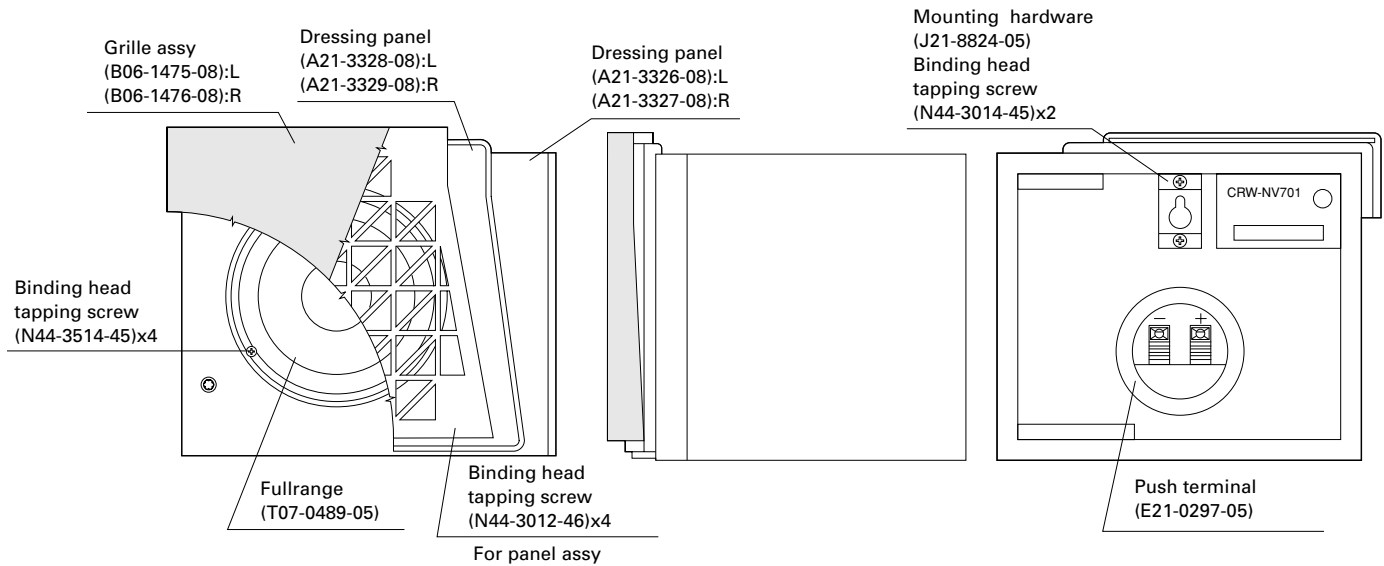


# CRW-NV701

## SERVICE MANUAL

©2000-6/B51-5643-00 (Z/K)2474

### EXTERNAL VIEW :SURROUND SPEAKER



### DISASSEMBLY FOR REPAIR

#### How to remove the speaker unit

1. Remove the front dressing panel ass'y before replace the speaker.(Insert the screw driver into the gaps of the silver panel from bottom side.)
2. You can disassemble the front dressing panel ass'y if removing the screws from its back side.

### SPECIFICATIONS

<b>Enclosure</b> .....	Acoustic air suspension type
<b>Full range</b> .....	100 mm, (4 in) cone type
<b>Impedance</b> .....	6 Ω
<b>Maximum input level</b> .....	50 W
<b>Dimensions</b> .....	W: 177mm (6-15/16")
	H: 150mm (5-7/8")
	D: 166mm (6-9/16")
<b>Net Weight</b> .....	1.3 kg (2.87 lb / piece)

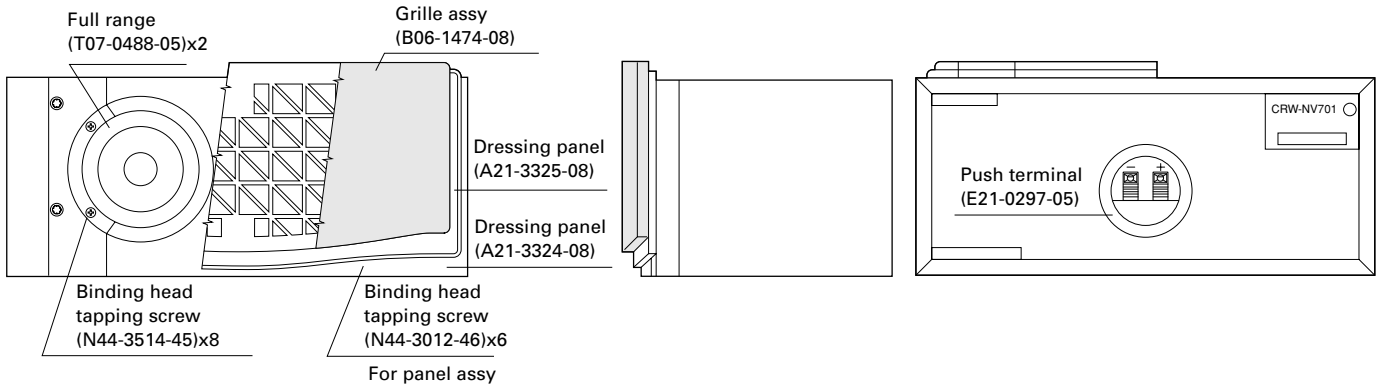
#### Note:

KENWOOD follows a policy of continuous advancements in development. For this reason specifications may be changed without notice.

# CRW-NV701

## EXTERNAL VIEW/SPECIFICATIONS

### CENTER SPEAKER: MECHANICAL 2-WAY SPEAKER SYSTEM



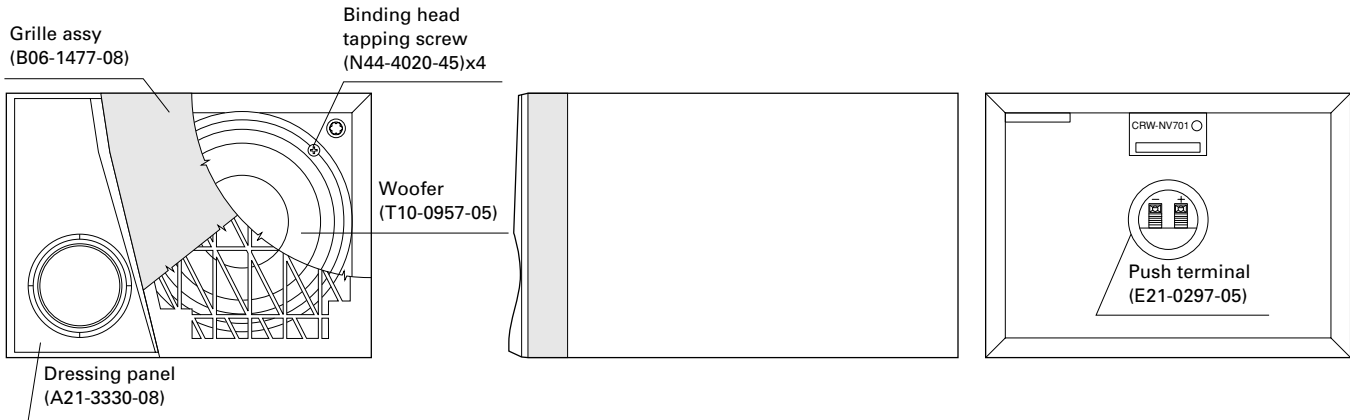
### SPECIFICATIONS

<b>Enclosure</b> .....	Acoustic air suspension Magnetically shielded type
<b>Full range</b> .....	.80 mm, (3 in) cone type x2
<b>Impedance</b> .....	.6 $\Omega$
<b>Maximum input level</b> .....	50 W
<b>Dimensions</b> .....	W: 280mm (11") H: 130mm (5-1/8") D: 166mm (6-9/16")
<b>Net Weight</b> .....	2.3 kg (5.07 lb / piece)

**Note:** \_\_\_\_\_

KENWOOD follows a policy of continuous advancements in development. For this reason specifications may be changed without notice.

### SUB WOOFER: WOOFER SPEAKER SYSTEM



### SPECIFICATIONS

<b>Enclosure</b> .....	Bass-reflex type
<b>Woofer</b> .....	160 mm, (6-1/2 in) cone type
<b>Impedance</b> .....	.6 $\Omega$
<b>Maximum input level</b> .....	50 W
<b>Dimensions</b> .....	W: 280mm (11") H: 200mm (7-7/8") D: 345mm (13-9/16")
<b>Net Weight</b> .....	5.6 kg (12.35 lb / piece)

**Note:** \_\_\_\_\_

KENWOOD follows a policy of continuous advancements in development. For this reason specifications may be changed without notice.

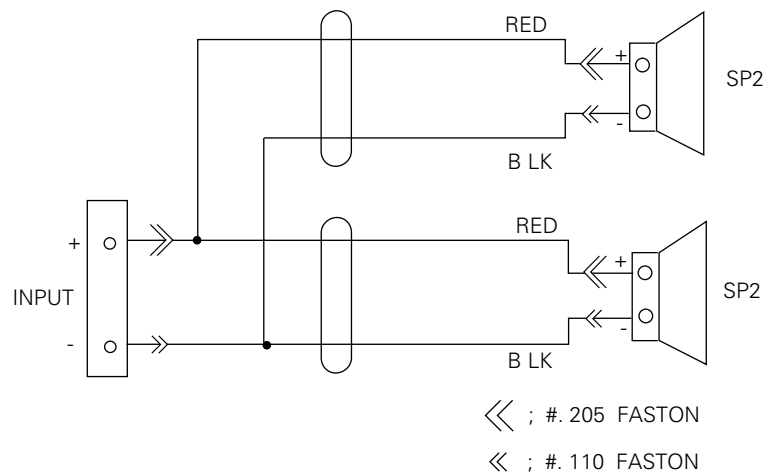
# CRW-NV701

## DIVIDING NETWORK UNIT

### SURROUND SPEAKER



### CENTER SPEAKER



### SUB WOOFER



# CRW-NV701

## PARTS LIST

### PARTS LIST

\* New Parts

Parts without **Parts No.** are not supplied.

Les articles non mentionnés dans le **Parts No.** ne sont pas fournis.

Teile ohne **Parts No.** werden nicht geliefert.

Ref. No.	Address	New Parts	Parts No.	Description	Destination	Remarks
<b>CRW-NV701</b>						
-		*	E30-5858-05	SPEAKER CORD		
-		*	E30-5859-05	SPEAKER CORD		
-		*	H10-8165-08	POLYSTYRENE FOAMED FIXTURE		
-		*	H10-8166-08	POLYSTYRENE FOAMED FIXTURE		
-		*	H10-8167-08	POLYSTYRENE FOAMED FIXTURE		
-		*	H21-1352-08	PROTECTION SHEET		
-		*	H51-1503-08	ITEM CARTON CASE	EG	
-		*	H51-1504-08	ITEM CARTON CASE	M	
-		*	H51-1509-08	ITEM CARTON CASE	KXY	
<b>CENTER SPEAKER(X20-2590-10)</b>						
-		*	A21-3324-08	DRESSING PANEL		
-		*	A21-3325-08	DRESSING PANEL (CLEAR BLUE)		
-		*	B06-1474-08	GRILLE ASSY		
-		*	E21-0297-05	PUSH TERMINAL		
SP2		*	T07-0488-05	FULL RANGE		
<b>SURROUND SPEAKER(X20-2600-10)</b>						
-		*	A21-3326-08	DRESSING PANEL (L)		
-		*	A21-3327-08	DRESSING PANEL (R)		
-		*	A21-3328-08	DRESSING PANEL (L) (CLEAR BLUE)		
-		*	A21-3329-08	DRESSING PANEL (R) (CLEAR BLUE)		
-		*	B06-1475-08	GRILLE ASSY (L)		
-		*	B06-1476-08	GRILLE ASSY (R)		
-		*	E21-0297-05	PUSH TERMINAL		
-		*	J21-8824-05	MOUNTING HARDWARE		
SP3		*	T07-0489-05	FULL RANGE		
<b>SUB WOOFER(X20-2610-10)</b>						
-		*	A21-3330-08	DRESSING PANEL		
-		*	B06-1477-08	GRILLE ASSY		
-		*	E21-0297-05	PUSH TERMINAL		
SP1		*	T10-0957-05	WOOFER		

**L:** Scandinavia

**K:** USA

**P:** Canada

**R:** Mexico

**C:** China

**I:** Malaysia

**Y:** PX(For East Hawaii)

**T:** England

**E:** Europe

**G:** Germany

**V:** China(Shanghai)

**Y:** AAFES(Europe)

**X:** Australia

**Q:** Russia

**H:** Korea

**M:** Other Areas

⚠ indicates safety critical components.